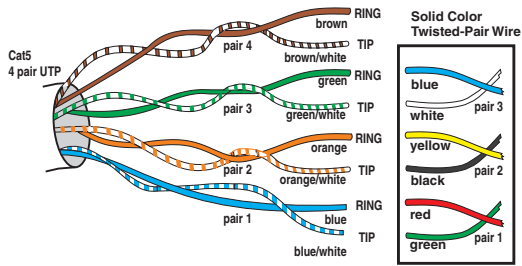
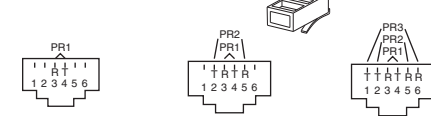


## Wire Color Codes



## Modular connectors

### 6 position connectors

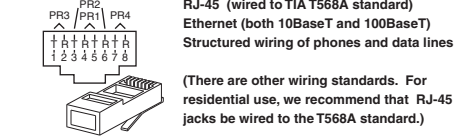


**RJ-11**  
Single line telephones, answering machines & modems

**RJ-14**  
Dual line telephones & answering machines

**RJ-25**  
Rare  
3 line KSU

### 8 position connectors



## STRUCTURED WIRING

by **ELAN**

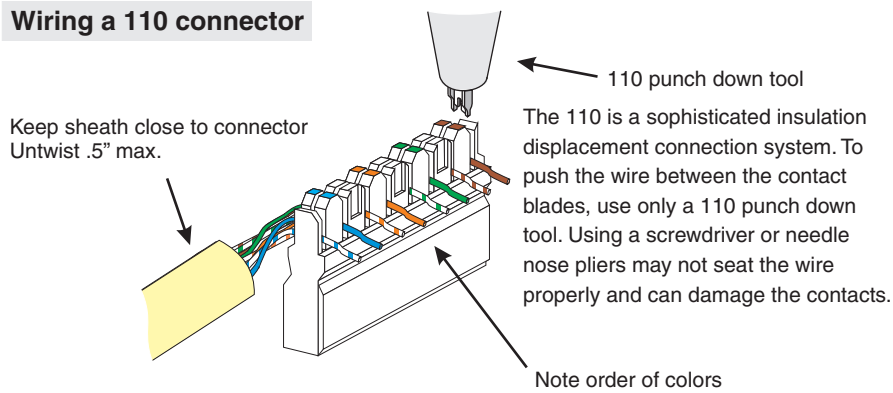
## TELEPHONE HUBS

TH46

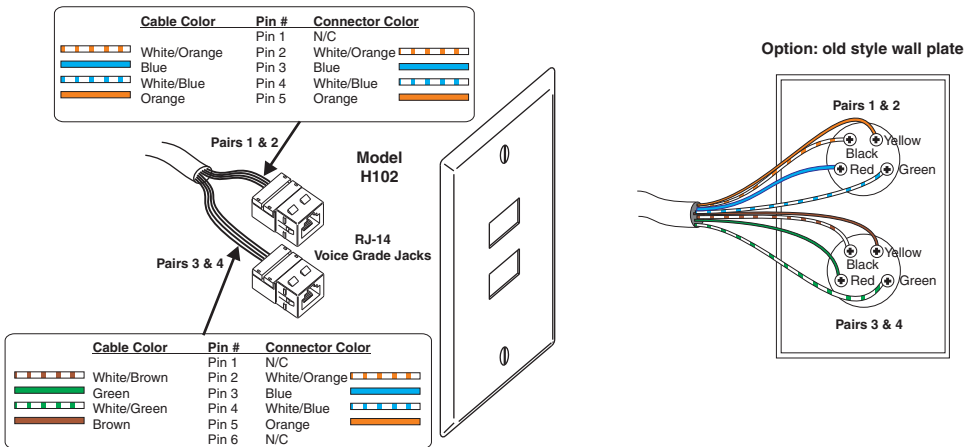
TH48

VTH464

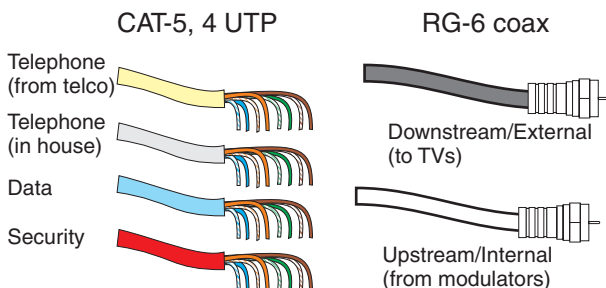
## Wiring a 110 connector



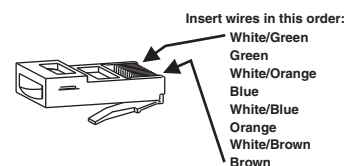
## Wiring a telephone wall plate



## Colors of ELAN <sup>SN</sup> wiring



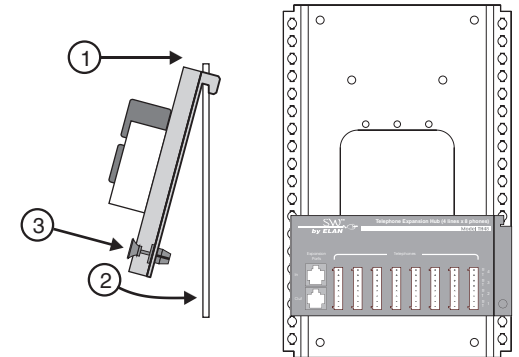
## Wiring Modular Plug (T568A)



## ELAN <sup>SN</sup> modules attach from the top

- 1) Hook from the top
- 2) Swing into place
- 3) Push button to lock

All ELAN <sup>SN</sup> modules are **Open House**™ grid compatible.



## Limited Warranty

ELAN HOME SYSTEMS, L.L.C. ("ELAN") warrants this product to be free from defects in materials and workmanship for a period of 15 years from the date of purchase. If within the applicable warranty period above purchaser discovers such item was not as warranted above and promptly notifies ELAN in writing, ELAN shall repair or replace the items at the company's option. This warranty shall not apply (a) to equipment not manufactured by ELAN, (b) to equipment which shall have been installed by other than an authorized ELAN installer (c) to installed equipment which is not installed to ELAN's specifications, (d) to equipment which shall have been repaired or altered by others than ELAN, (e) to equipment which shall have been subjected to negligence, accident, or damage by circumstances beyond ELAN's control, including, but not limited to, lightning, flood, electrical surge, tornado, earthquake, or any other catastrophic events beyond ELAN's control, or to improper operation, maintenance or storage, or to other than normal use of service. With respect to equipment sold by, but not manufactured by ELAN, the warranty obligations of ELAN shall in all respects conform and be limited to the warranty actually extended to ELAN by its supplier. The foregoing warranties do not cover reimbursement for labor, transportation, removal, installation, or other expenses which may be incurred in connection with repair or replacement.

Except as may be expressly provided and authorized in writing by ELAN, ELAN shall not be subject to any other obligations or liabilities whatsoever with respect to equipment manufactured by ELAN or services rendered by ELAN.

THE FOREGOING WARRANTIES ARE EXCLUSIVE AND IN LIEU OF ALL OTHER EXPRESSED AND IMPLIED WARRANTIES EXCEPT WARRANTIES OF TITLE, INCLUDING BUT NOT LIMITED TO IMPLIED WARRANTIES OF MERCHANTABILITY AND FITNESS FOR A PARTICULAR PURPOSE.

# ELAN™

H O M E S Y S T E M S

2428 PALUMBO DRIVE • LEXINGTON KY 40509

MAIN TELEPHONE 859.269.7760

SALES 877.289.3526 • SALES FAX 859.269.7972

TECH SUPPORT 859.269.7760 • ON-SITE TECH SUPPORT 800.622.3526

GENERAL EMAIL [elan@elanhomesystems.com](mailto:elan@elanhomesystems.com)

TECH SUPPORT EMAIL [tech@elanhomesystems.com](mailto:tech@elanhomesystems.com)

WEBSITE [www.elanhomesystems.com](http://www.elanhomesystems.com)

# ELAN Telephone Hubs

## IMPORTANT INSTRUCTIONS

When using your telephone equipment, basic precautions should always be followed to reduce the risk of fire, electric shock and injury to persons, including the following:

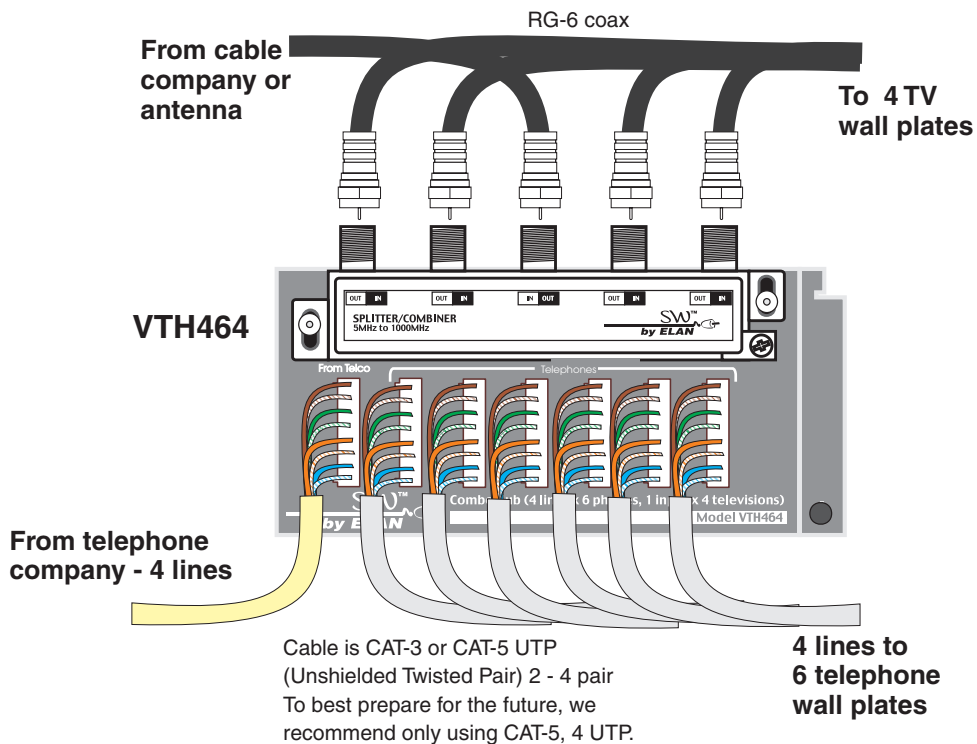
1. Read and understand all instructions
2. Do not use this product near water, for example, near a bath tub, wash bowl, kitchen sink, or laundry tub, in a wet basement, or near a swimming pool.
3. Never push objects of any kind into this product through cabinet slots as they may touch dangerous voltages.
4. Use only ELAN-approved SW cabinets: E10, E18 or E32/G32.
5. **SAVE THESE INSTRUCTIONS**

### SAFETY INFORMATION:

- a) Never install telephone wiring during a lightning storm.
- b) Never install telephone jacks in wet locations.
- c) Never touch uninsulated telephone wires or terminals unless the telephone line has been disconnected at the network interface.
- d) Use caution when installing or modifying telephone lines.

### VTH464 Video/Telephone Hub

- 4-way 1GHz RF Splitter/Combiner
- Distributes 4 telephone lines to 6 locations



### TH46 Telephone Master Hub

- Telephone service for 4 lines with outputs for 6 locations
- RJ-31X Security panel connection
- 110 punch-down connectors

### TH48 Telephone Expansion Hub

- Accessory to TH46
- Telephone service for 4 lines with outputs for 8 locations
- Cat-5 jumper included
- 110 punch-down connectors
- Multiple TH48s may be used

