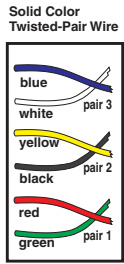
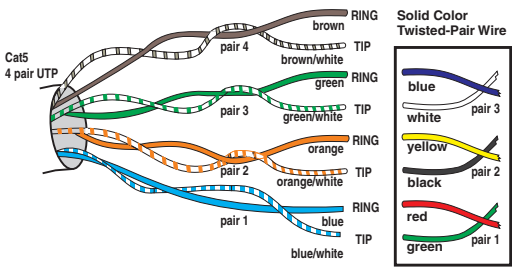
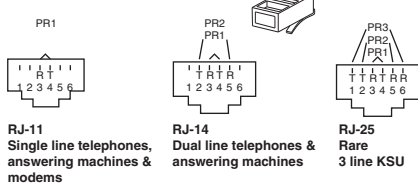


Wire Color Codes

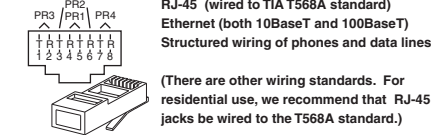


Modular connectors

6 position connectors



8 position connectors



STRUCTURED WIRING

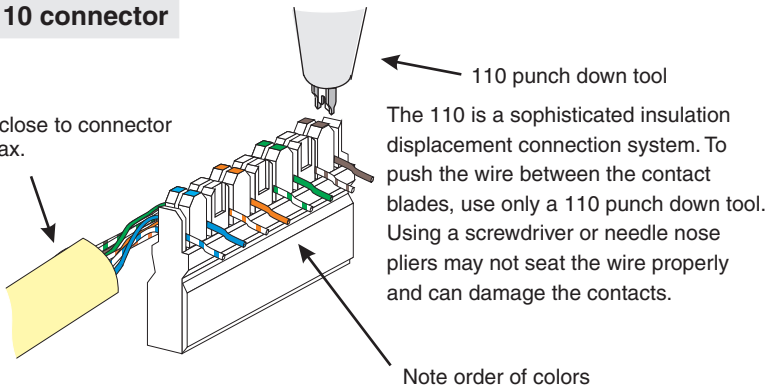
by ELAN

DATA/TELEPHONE HUBS

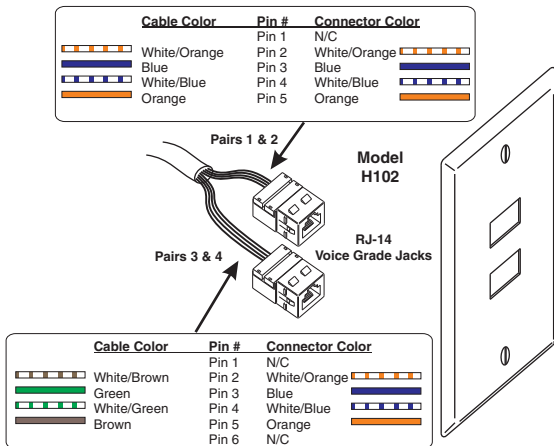
DH8
DTH8B

Wiring a 110 connector

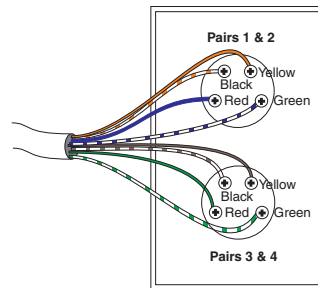
Keep sheath close to connector
Untwist .5" max.



Wiring a telephone wall plate



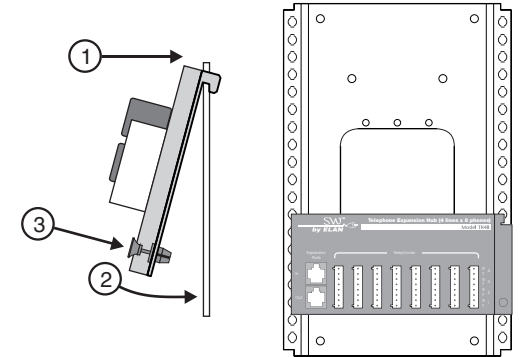
Option: old style wall plate



ELAN modules attach from the top

- 1) Hook from the top
- 2) Swing into place
- 3) Push button to lock

All ELAN modules are grid compatible.



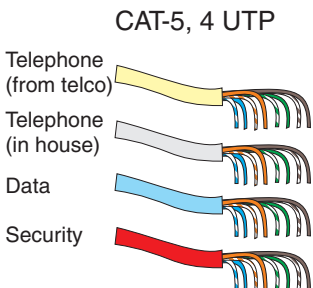
Limited Warranty

ELAN HOME SYSTEMS, L.L.C. ("ELAN") warrants this product to be free from defects in materials and workmanship for a period of 15 years from the date of purchase. If within the applicable warranty period above purchaser discovers such item was not as warranted above and promptly notifies ELAN in writing, ELAN shall repair or replace the items at the company's option. This warranty shall not apply (a) to equipment not manufactured by ELAN, (b) to equipment which shall have been installed by other than an authorized ELAN installer, (c) to installed equipment which is not installed to ELAN's specifications, (d) to equipment which shall have been repaired or altered by others than ELAN, (e) to equipment which shall have been subjected to negligence, accident, or damage by circumstances beyond ELAN's control, including, but not limited to, lightning, flood, electrical surge, tornado, earthquake, or any other catastrophic events beyond ELAN's control, or to improper operation, maintenance or storage, or to other than normal use of service. With respect to equipment sold by, but not manufactured by ELAN, the warranty obligations of ELAN shall in all respects conform and be limited to the warranty actually extended to ELAN by its supplier. The foregoing warranties do not cover reimbursement for labor, transportation, removal, installation, or other expenses which may be incurred in connection with repair or replacement.

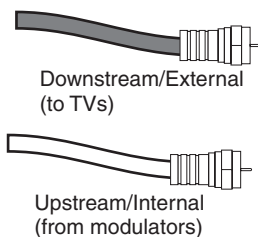
Except as may be expressly provided and authorized in writing by ELAN, ELAN shall not be subject to any other obligations or liabilities whatsoever with respect to equipment manufactured by ELAN or services rendered by ELAN.

THE FOREGOING WARRANTIES ARE EXCLUSIVE AND IN LIEU OF ALL OTHER EXPRESSED AND IMPLIED WARRANTIES EXCEPT WARRANTIES OF TITLE, INCLUDING BUT NOT LIMITED TO IMPLIED WARRANTIES OF MERCHANTABILITY AND FITNESS FOR A PARTICULAR PURPOSE.

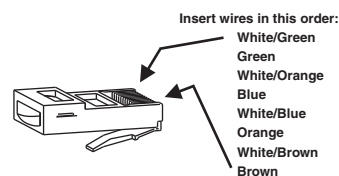
Colors of ELAN wiring



RG-6 coax



Wiring Modular Plug (T568A)



ELAN™

H O M E S Y S T E M S

2428 PALUMBO DRIVE • LEXINGTON KY 40509

MAIN TELEPHONE 859.269.7760

SALES 877.289.3526 • SALES FAX 859.269.7972

TECH SUPPORT 859.269.7760 • ON-SITE TECH SUPPORT 800.622.3526

GENERAL EMAIL elan@elanhomesystems.com

TECH SUPPORT EMAIL tech@elanhomesystems.com

WEBSITE www.elanhomesystems.com

DH8 & DTH8B DATA/TELEPHONE HUBS

DH8 Data Hub

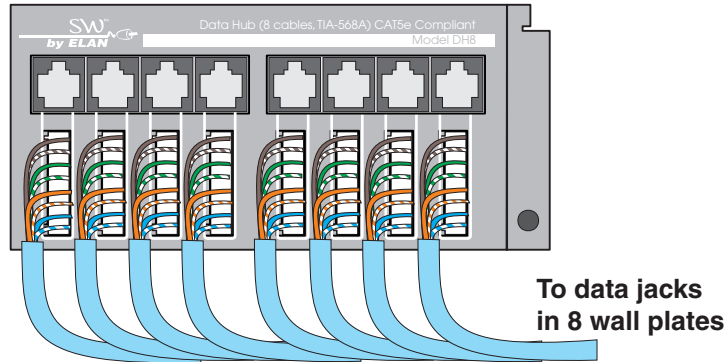
- Certified 100 Base-T performance
- Cat-5 performance in a multi-port hub
- Terminates 8 Cat-5 wires
- 110 punch-down connectors
- RJ-45 Connectors
- Circuits may be bridged

DTH8B Bridgeable Data/Telephone Hub

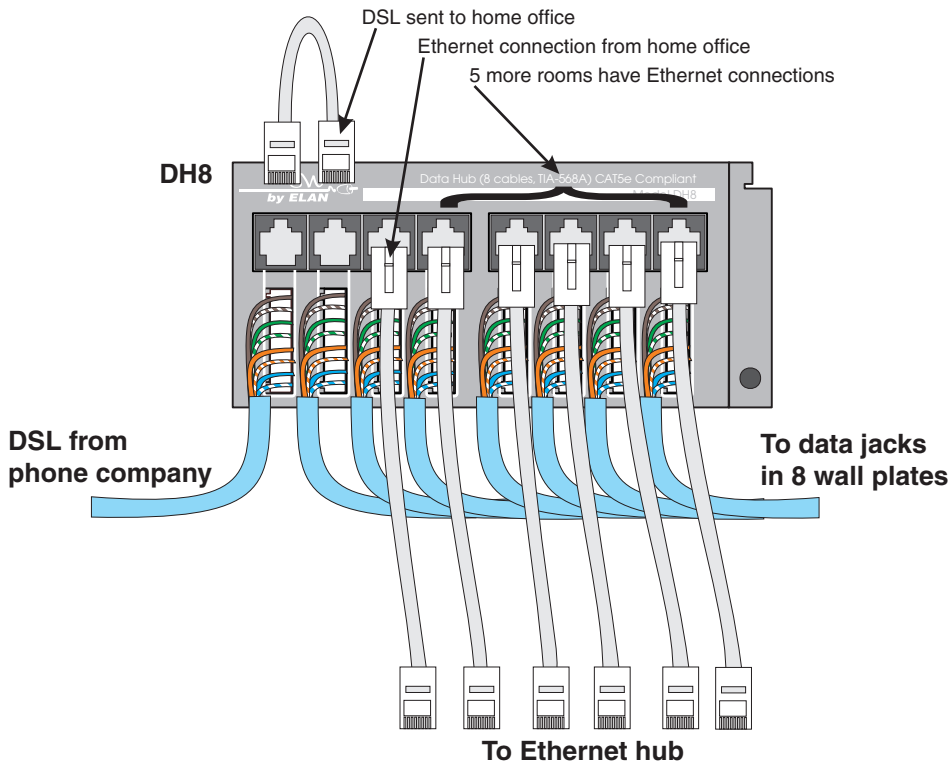
- Certified 100 Base-T performance
- Cat-5 performance in a multi-port hub
- Terminates 8 Cat-5 wires for phone or data
- Two rows of 110 punch-down connectors
- RJ-45 Connectors
- Circuits may be bridged
- Designed to be used with multi-line phone systems

The DH8 terminates data lines with CAT-5 jacks (RJ-45). Use CAT-5 jumper cables to route services to wall plates in the appropriate rooms of the house.

Wiring DH8/DTH8B CAT-5 data hub (DH8 shown)



Sample system

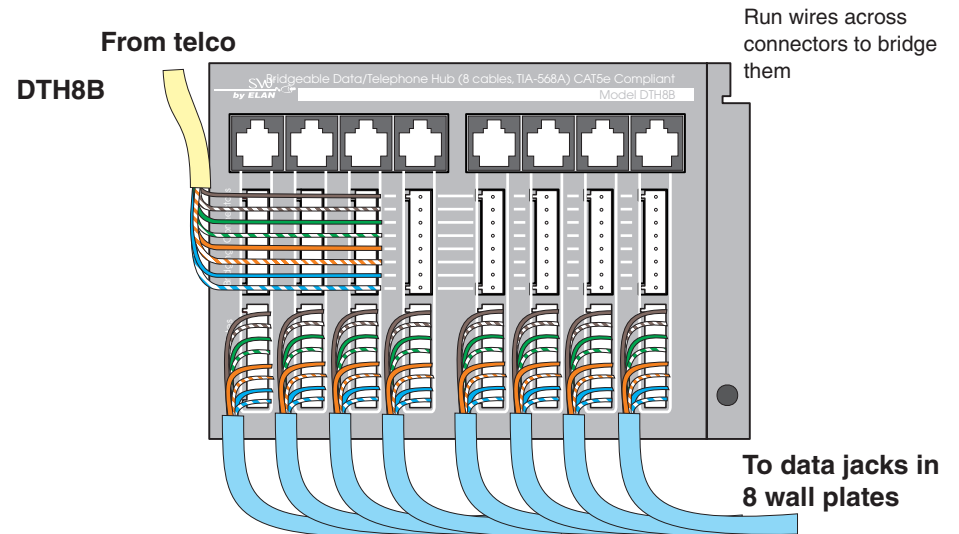


SAFETY INFORMATION:

- Never install telephone wiring during a lightning storm.
- Never install telephone jacks in wet locations.
- Never touch uninsulated telephone wires or terminals unless the telephone line has been disconnected at the network interface.
- Use caution when installing or modifying telephone lines.

Using the DTH8B for telephone distribution

In a structured wire system, telephone outlets are wired using CAT-5 cables with a single RJ-45 jack at each end of the wire. To bring telephone to the jacks, bridge the telephone lines at the hub.



Any or all CAT-5 circuits may be bridged for telephone.

Data ports #1 - #3 are now wired for telephone. To change functions in the future is a simple matter of changing jumpers.

DH8 CAT-5e performance

