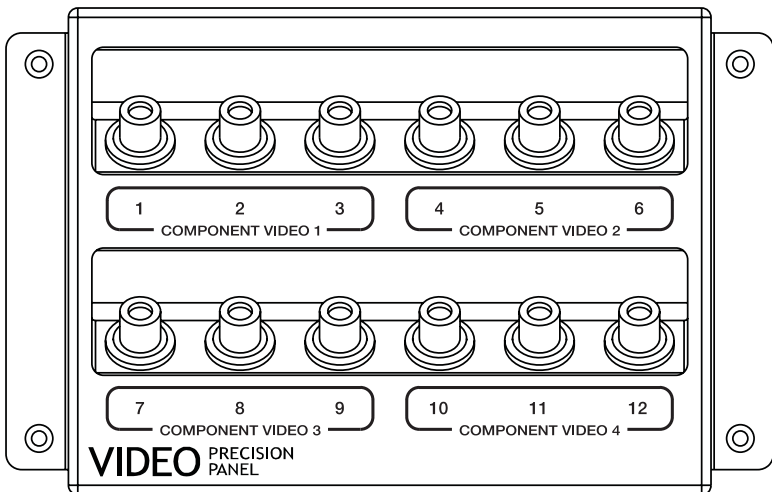


# PV12

VIDEO PRECISION PANEL



## INSTALLATION MANUAL

**ELAN**

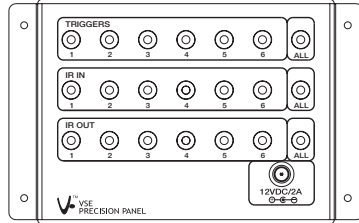
H O M E S Y S T E M S T M

# ELAN 1/2 Frame Precision Panels

ELAN's new 1/2 frame Precision Panels save time and make sense out of complex wiring tasks. Add reliability and simplicity to your installs by using them in every job!

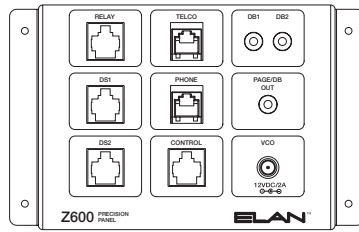
## PVSE

The PVSE Precision Panel makes it easy to connect up to six ELAN Electronic Volume Controls to any ELAN system, and is also the perfect trim-out solution for Electronic Volume Controls in any stand-alone system!



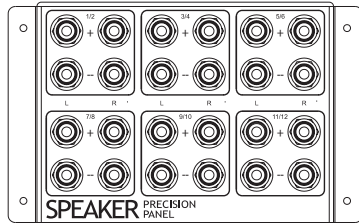
## PZ600

The PZ600 Precision Panel allows the connection of phone service, page, Doorbell and Override signals, relays and door stations to the Z•600 Communications Controller and ELAN S Series controllers.



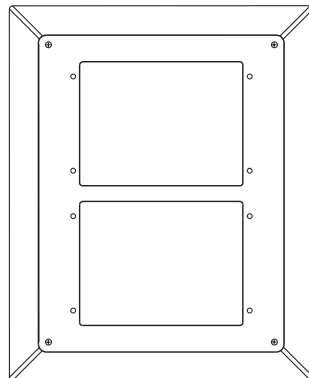
## PSP6

The PSP6 Speaker Precision Panel is a neat and easy way to connect in-wall wire runs from up to six pairs of speakers (twelve speakers total) to a system's amplifier.



## PF2

The PF2 Precision Panel Frame accommodates any two 1/2 frame Precision panels (PZ600, PVSE, PV12, & PSP6). This kit includes a full-sized Precision panel frame, a blank 1/2 frame plate to cover any unused half of the frame, and all mounting hardware. Required for use with all 1/2 frame Precision Panels.



# Table of Contents

**Introduction** ..... 2-3  
    Features ..... 2  
    PV12 Front/Rear Panels ..... 3

**Installation** ..... 4-6  
    PF2 Precision Panel Frame ..... 4  
    Mounting the PV12 to the PF2 ..... 4  
    Trim-Out ..... 5

**Connections** ..... 6-9  
    PV12-Front Connections ..... 7  
    PV12-Rear Connections..... 8  
    PV12 Camera Connections ..... 9

**Warranty** ..... Back Page



H O M E S Y S T E M S <sup>TM</sup>

2428 Palumbo Dr.  
Lexington, KY USA 40509  
Voice 859.269.7760  
Tech Support 800-622-3526

## Introduction

The PV12 Video Precision Panel provides a clean and easy way to connect up to twelve runs of coaxial cable to the System12 Multi-Room A/V Controller, Z•880 Video Switcher, or other Composite Video application requiring up to twelve wire runs.

Twelve gold-plated F-to-RCA barrel connectors are mounted on flanges angled at 45 degrees. The angled flanges ensure that all coax runs slide easily back into the wall after termination, and that the cables are not bent past their specified limits, which can cause damage and result in signal loss.

The PV12 is labeled for Composite Video cables, and also shows groups of three connectors for Component Video cables.

The PV12 is one of ELAN's 1/2 frame Precision Panels. Two 1/2 frame panels can be mounted in one PF2 Precision Panel Frame, giving the flexibility to mix and match Precision Panels needed to complete a neat, problem-free trim-out.

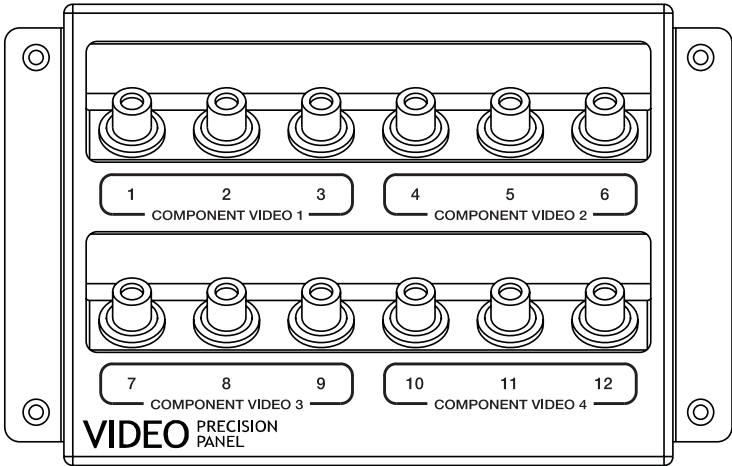
## Features

- 1/2 Frame Video Precision Panel
- Twelve F-to-RCA Connectors
- Angled Flanges for Easy & Safe Coax Wire Management
- Perfect for Use With S12 Multi-Room A/V Controller and Z•880 Video Controller
- Fits in PF2 Precision Panel Frame (required for installation)

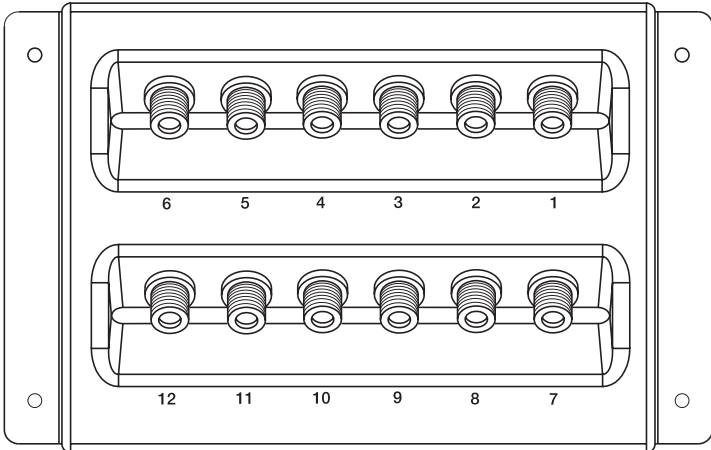
# Introduction (continued)

## PV12 Front/Rear Panels

**PV12-Front**



**PV12-Rear**



# Installation

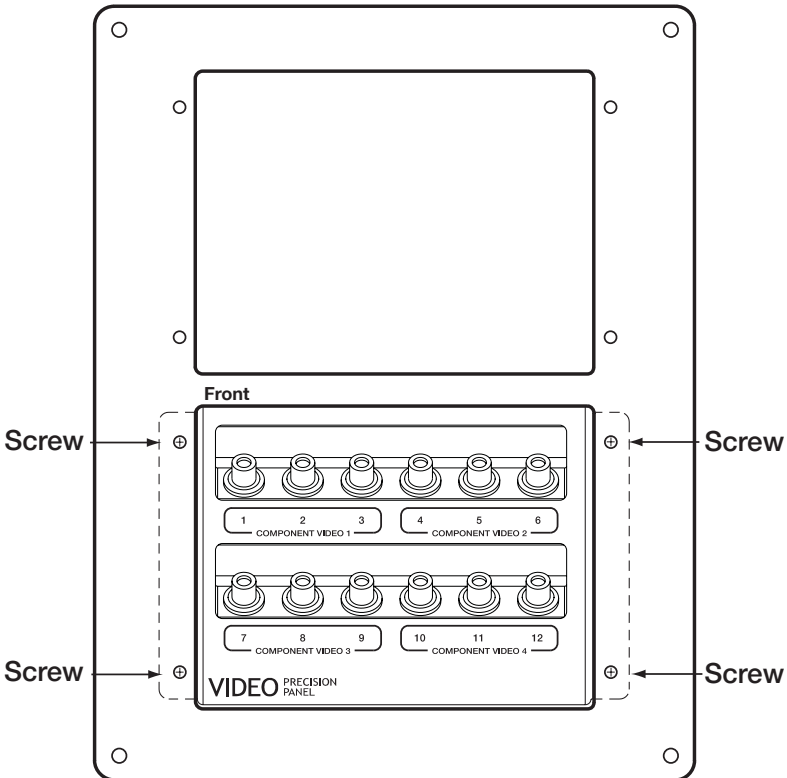
## PF2 Precision Panel Frame

The PF2 accommodates any two 1/2 frame Precision Panels. The kit includes a full-size Precision Panel frame, an insert with pre-drilled holes for the mounting of two 1/2 frame Precision Panels, mounting screws, and a blank 1/2 frame plate to cover an unused half of the frame. PBKT6P new-construction brackets are available, or the PF2 can easily be retro-fitted using the four clamping legs attached to the frame, which clamp the panel securely to drywall.

**Note:** The PF2 is required for the installation of all 1/2 frame Precision Panels.

## Mounting the PV12 to the PF2

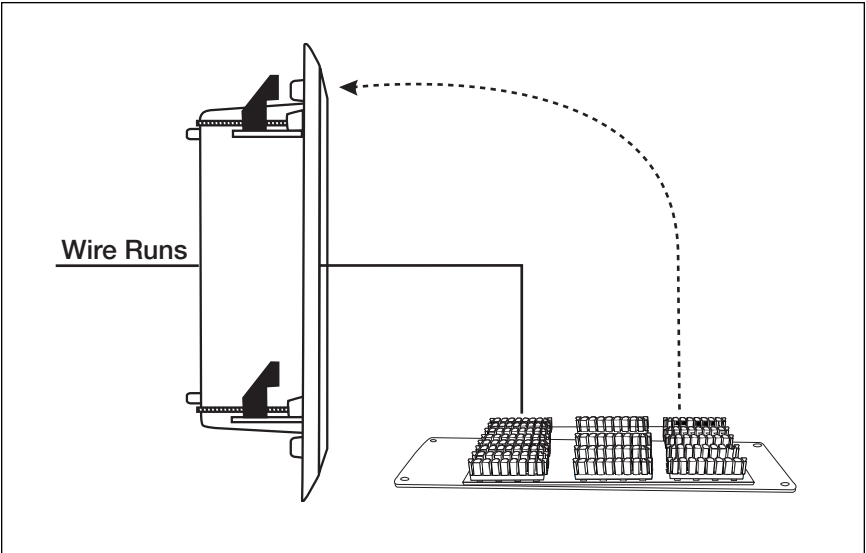
Each 1/2 frame Precision Panel mounts from the back of the PF2. Use four included screws inserted from the front of the PF2 as shown below.



## Installation (continued)

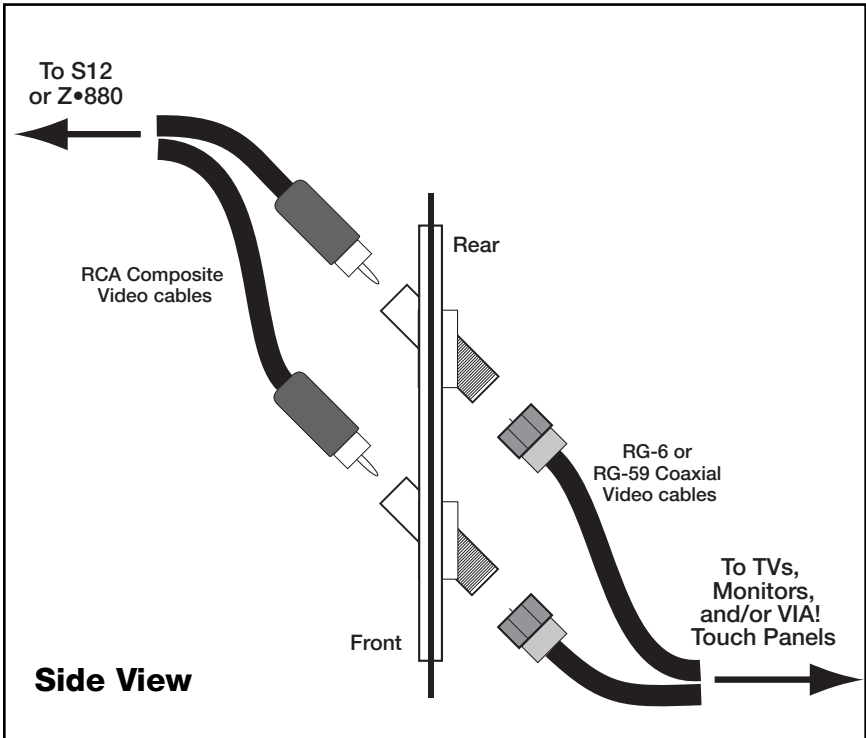
### Trim-Out

All system wire runs are pulled through the PF2 frame. Lay the PV12 front panel (attached to the PF2) on the floor in front of the frame and make all connections. Dress the wires in neat bundles and then carefully place the PV12/PF2 back into the frame and secure using the four included screws.



## Connections

Use high-quality RCA Composite video cables to connect the jacks on the front panel of the PV12 to the Video Output jacks on an ELAN System12, Z•880, or other device. Make sure that each jack goes to the appropriately numbered output! Connect RG-6 or RG-59 coaxial cable to the F-connectors on the rear of the PV12. These coaxial runs will go to TVs, Video Monitors, and/or VIA!® Touch Panels located throughout the home. Pay close attention to where each cable is connected.



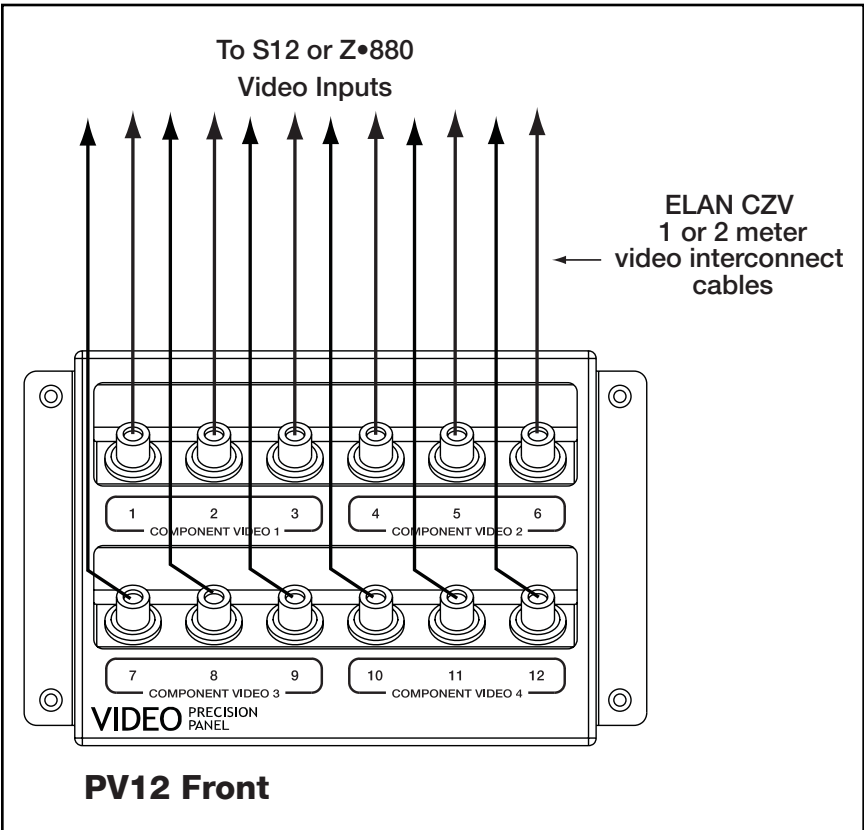


**Connections** (continued)

**PV12 Connections-Front**

Connect RCA Composite video cables from each **COMPOSITE VIDEO OUTPUT** of a Z•880, S12, or other device to each RCA Video jack on the PV12. Additional PV12s will be required if using more than twelve S12 video outputs or multiple Z•880s.

**Note:** Use high-quality Component Video cables when connecting High Definition or Component Video sources.

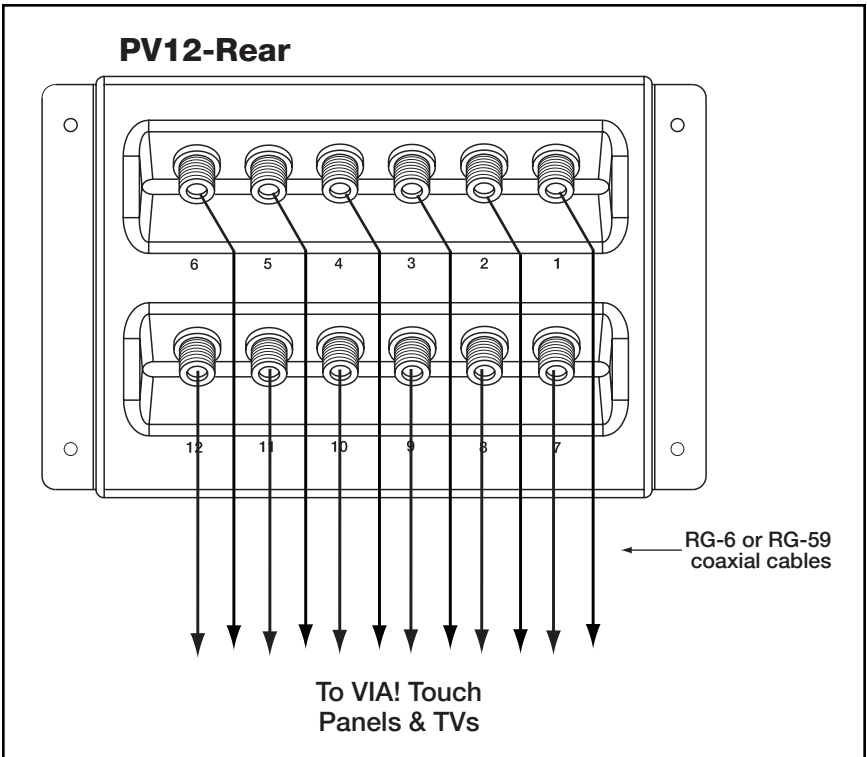


**PV12 Front**

**Connections** (continued)

**PV12 Connections-Rear**

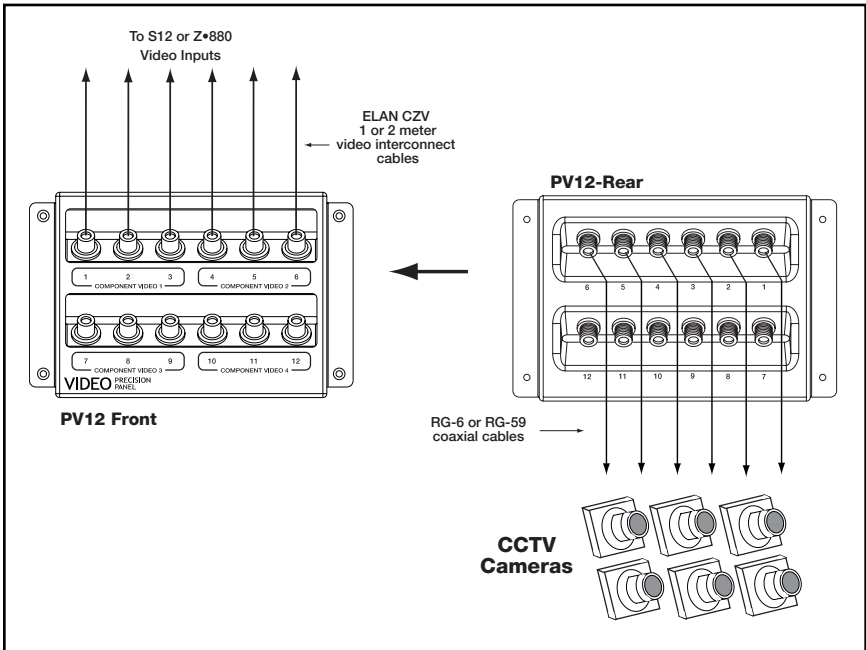
Connect RG-6 or RG-59 coaxial cable from the back of the PV12 to TVs, monitors, and/or VIA!® Touch Panels located throughout the house. Make sure wires are clearly identified and are connected to the appropriate jacks on the PV12.



**Connections** (continued)

**PV12 Camera Connections**

The PV12 is a logical solution for certain video sources that are remotely located; CCTV cameras are an example. ELAN recomends using RG-6 or RG-59 coaxial cable for Composite video wire runs. Connect the coaxial cable from the CCTV camera to the back of the PV12. Connect an RCA Composite video cable from the front of the PV12 to the appropriate **SOURCE INPUT** of an S12 or **COMPOSITE VIDEO INPUT** of a Z•880 as shown below.



## Limited Warranty

ELAN HOME SYSTEMS L.L.C. ("ELAN") warrants the PV12 Precision Panel to be free from defects in materials and workmanship for the period of two years (2 years) from date of purchase. If within the applicable warranty period above purchaser discovers that such item was not as warranted above and promptly notifies ELAN in writing, ELAN shall repair or replace the item at the company's option. This warranty shall not apply (a) to equipment not manufactured by ELAN, (b) to equipment which shall have been installed by other than an ELAN authorized installer, (c) to installed equipment which is not installed to ELAN's specifications, (d) to equipment which shall have been repaired or altered by others than ELAN, (e) to equipment which shall have been subjected to negligence, accident, or damage by circumstances beyond ELAN's control, including, but not limited to, lightning, flood, electrical surge, tornado, earthquake, or other catastrophic events beyond ELAN's control, or to improper operation, maintenance or storage, or to other than normal use of service. With respect to equipment sold by, but not manufactured by ELAN, the warranty obligations of ELAN shall in all respects conform to the warranty actually extended to ELAN by its supplier. The foregoing warranties do not cover reimbursement for labor, transportation, removal, installation or other expenses which may be incurred in connection with repair or replacement.

Except as may be expressly provided and authorized in writing by ELAN, ELAN shall not be subject to any other obligations or liabilities whatsoever with respect to equipment manufactured by ELAN or services rendered by ELAN.

THE FOREGOING WARRANTIES ARE EXCLUSIVE AND IN LIEU OF ALL OTHER EXPRESSED AND IMPLIED WARRANTIES EXCEPT WARRANTIES OF TITLE, INCLUDING BUT NOT LIMITED TO IMPLIED WARRANTIES OF MERCHANTABILITY AND FITNESS FOR A PARTICULAR PURPOSE.

### **ATTENTION: TO OUR VALUED CONSUMERS**

To ensure that consumers obtain quality pre-sale and after-sale support and service, ELAN Home Systems products are sold exclusively through authorized dealers. ***ELAN products are not sold online.*** The warranties on ELAN products are **NOT VALID** if the products have been purchased from an unauthorized dealer or an online E-tailer. To determine if your ELAN reseller is authorized, please call ELAN Home Systems at (859) 269-7760.

The logo for ELAN Home Systems, featuring the word "ELAN" in a bold, stylized, black font with a white outline. The letters are closely spaced and have a modern, industrial feel.

H O M E S Y S T E M S

2428 Palumbo Drive Lexington, KY 40509

[www.elanhomesystems.com](http://www.elanhomesystems.com)