



Integration Note

Manufacturer:	Xantech Corporation
Model Number(s):	HD44C, HD44CC5
Core Module Version:	5.7 (g!)
Document Revision Date:	5/23/2012

OVERVIEW AND SUPPORTED FEATURES

The Xantech HD44C and HD44CC5 are 4 X 4 Component Video Controllers which switch four component sources to any of four component outputs and can be controlled by the g! software with an RS-232 serial connection to allow reliable 2-way communication. Up to four HD44Cs or HD44CC5s can be stacked for a total of 16 zone outputs from four source inputs.

THE FOLLOWING FEATURES ARE SUPPORTED:

Multiple Chassis Configuration: Up to four HD44C/HD44CC5s can be linked together to provide 16 zone outputs from four source inputs. Refer to the HD44C/HD44CC5 installation manual for inter-chassis connections.

THE FOLLOWING FEATURES ARE NOT SUPPORTED:

Control from HomeBrick/MultiBrick: The HD44C and HD44CC5 cannot be controlled from HomeBrick/MultiBrick controllers.

Audio Control: The HD44C and HD44CC5 can route digital audio using their SPDIF connections, however, volume, DSP setting, etc., functions are not present in the HD44C/HD44CC5 chassis and therefore can't be controlled by the g! system.

Any feature not specifically noted as supported should be assumed to be unsupported.

INSTALLATION OVERVIEW

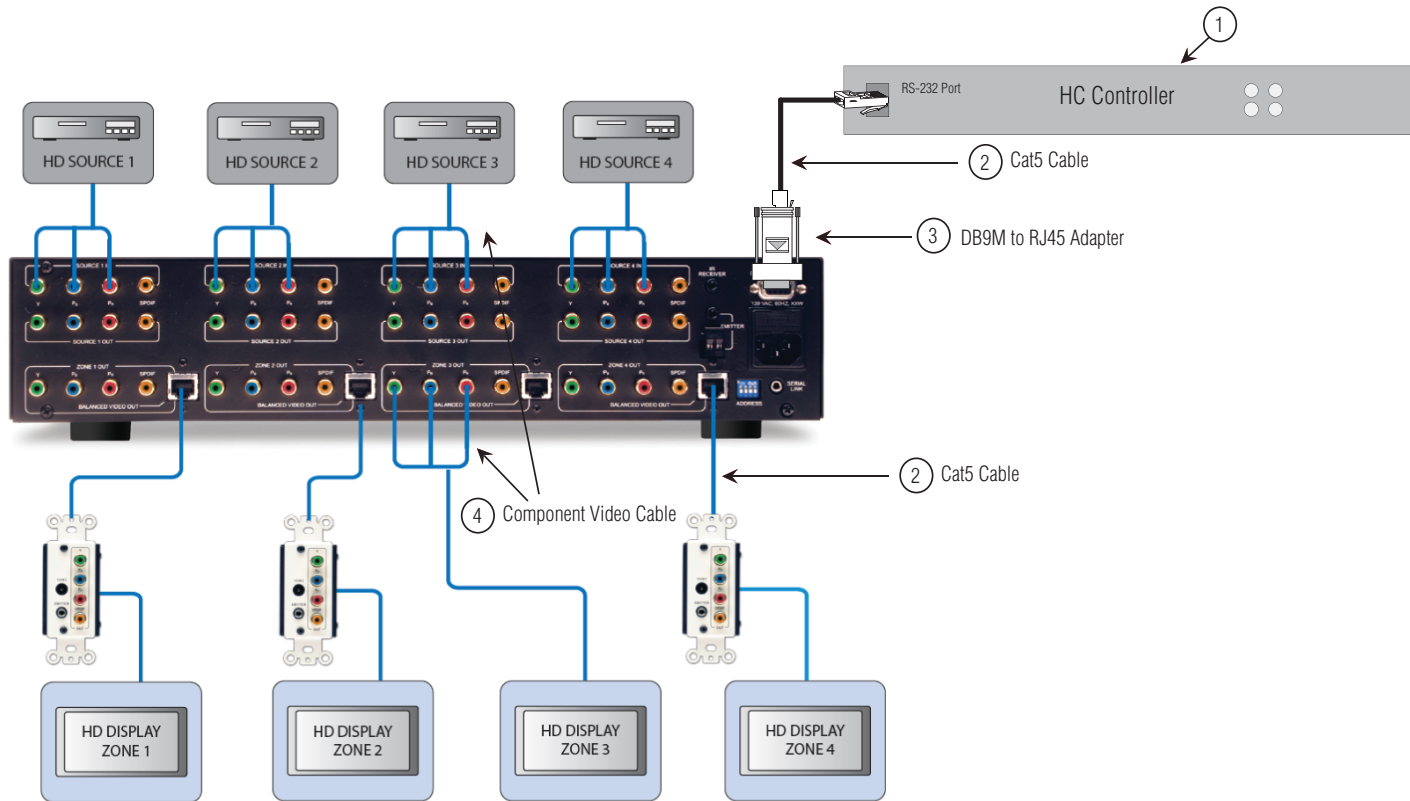
1. During the rough-in phase, install wires for the sources, amplifiers and displays for each zone.
2. Also during the rough-in phase, run a Cat5 wire from the location of the switch back to the HCxx controller for RS-232 communications. Refer to the **HCxx Installation Manual** for the RS-232 wiring code.
3. Install the switch, the sources, amplifier, displays and speakers.
4. Confirm proper video switching as a stand alone system.
5. Connect the g! system to the switch electrically. See the wiring diagrams for more information.
6. Configure the g! system for the switch and confirm communication between the switch and the **Controller**.
7. Test the system by changing sources in a zone to confirm the correct source plays. Test source control for any sources that are to be controlled from the g! interface.

ELAN Home Systems • 1690 Corporate Circle • Petaluma, CA 94954 USA

tech support: 800.622.3526 • main: 760.710.0990 • sales: 877.289.3526 • email: elan@elanhomesystems.com

©2013 ELAN Home Systems. All rights reserved. ELAN and g! are trademarks of ELAN Home Systems. All other trademarks are the property of their respective owners.

CONNECTION DIAGRAM



BILL OF MATERIALS

#	Device	Manufacturer	Part #	Protocol	Connector Type	Notes
1	HCxx Controller	ELAN	HCxx	RS-232	RJ-45 Female	
2	Cat5 Cable	Installer	N/A	568A or 568B	RJ-45 Male	
3	DB9M RJ-45 Adapter	ELAN	HA-CB-307	RS-232	DB9 Male x RJ-45 Female	
4	Component Video Cable	N/A	N/A	Analog	RCA x RCA	

COMMON MISTAKES

1. Failure to connect Source video loops between HD44C/HD44CC5 chassis.
2. Failure to set the Chassis ID dip switches correctly on the HD44C/HD44CC5 chassis.