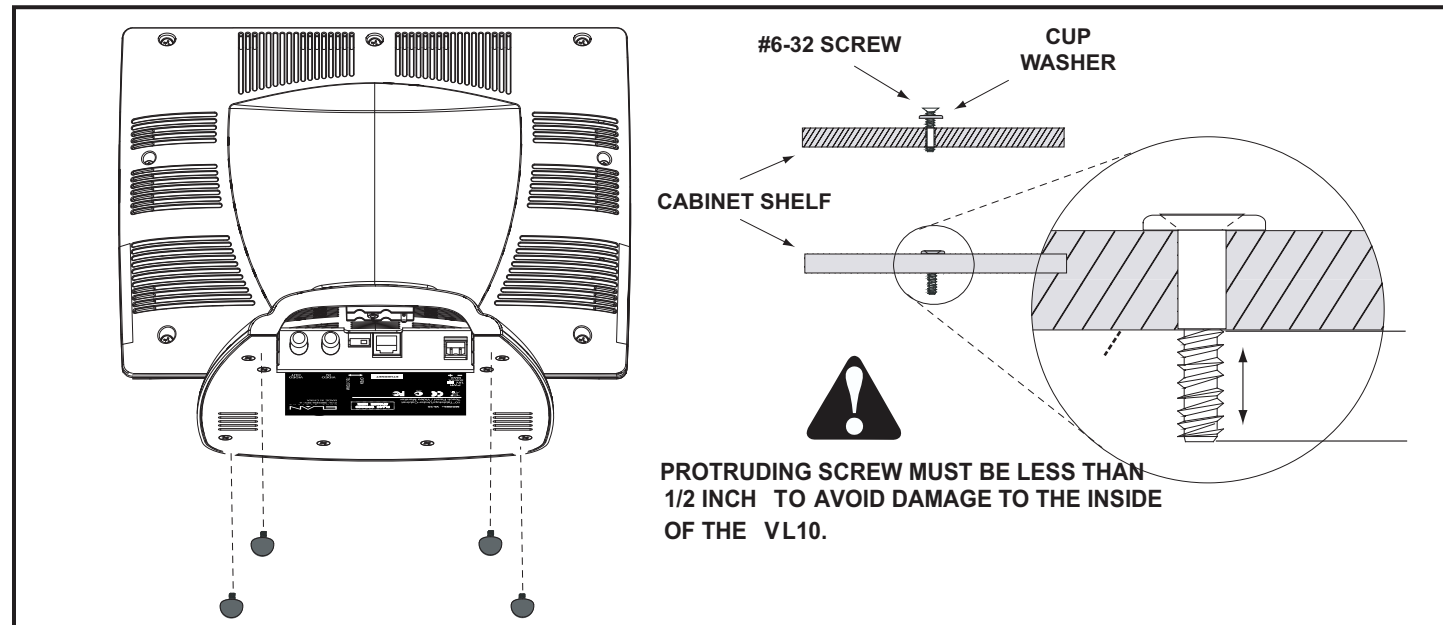


Mounting the VL10 Under the Cabinet

Figure 6



For under the cabinet installation, remove the factory installed screw-in feet from the underside of the VL10. Measure the thickness of the bottom of the cabinet or shelf. Select the shortest screw length which will pass completely through the cup washer and cabinet shelf. Screw length must protrude from underside of cabinet less than 1/2. Install the 6/32 screws and washers through the cabinet bottom to the VL10 base. DO NOT OVER TIGHTEN.

## Limited Warranty

ELAN HOME SYSTEMS L.L.C. ("ELAN") warrants the VL10 to be free from defects in materials and workmanship for the period of two years (2 years) from the date of purchase. If within the applicable warranty period above purchaser discovers that such item was not as warranted above and promptly notifies ELAN in writing, ELAN shall repair or replace the item at the company's option. This warranty shall not apply (a) to equipment not manufactured by ELAN, (b) to equipment which shall have been installed by other than an ELAN authorized installer, (c) to installed equipment which is not installed to ELAN's specifications, (d) to equipment which shall have been repaired or altered by others than ELAN, (e) to equipment which shall have been subjected to negligence, accident, or damage by circumstances beyond ELAN's control, including, but not limited to, lightning, flood, electrical surge, tornado, earthquake, or other catastrophic events beyond ELAN's control, or to improper operation, maintenance or storage, or to other than normal use of service. With respect to equipment sold by, but not manufactured by ELAN, the warranty obligations of ELAN shall in all respects conform to the warranty actually extended to ELAN by its supplier. The foregoing warranties do not cover reimbursement for labor, transportation, removal, installation or other expenses which may be incurred in connection with repair or replacement.

Except as may be expressly provided and authorized in writing by ELAN, ELAN shall not be subject to any other obligations or liabilities whatsoever with respect to equipment manufactured by ELAN or services rendered by ELAN.

THE FOREGOING WARRANTIES ARE EXCLUSIVE AND IN LIEU OF ALL OTHER EXPRESSED AND IMPLIED WARRANTIES EXCEPT WARRANTIES OF TITLE, INCLUDING BUT NOT LIMITED TO IMPLIED WARRANTIES OF MERCHANTABILITY AND FITNESS FOR A PARTICULAR PURPOSE.

### ATTENTION: TO OUR VALUED CUSTOMERS

To ensure that customers obtain quality pre-sale and after-sale support and service, ELAN Home Systems products are sold exclusively through authorized dealers. ELAN products are not sold online. The warranties on ELAN products are NOT VALID if the products have been purchased from an unauthorized dealer or an online E-tailer. To determine if your ELAN reseller is authorized, please call ELAN Home Systems at (859) 269-7760.

## VL10 Quick Reference Installation Guide

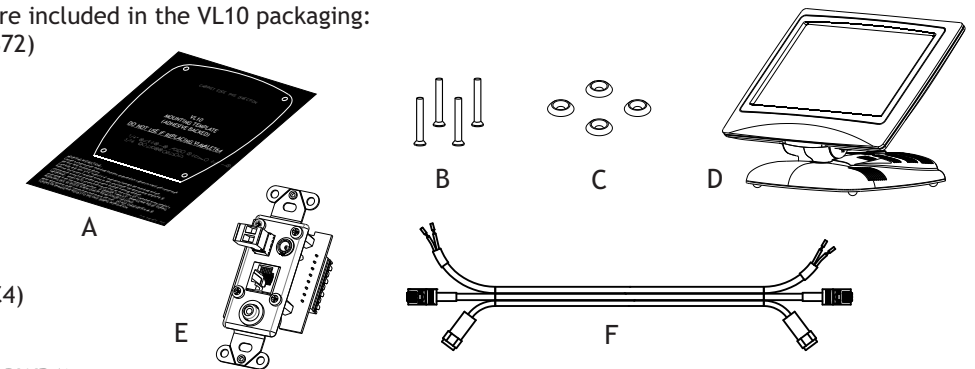
The VL10 Tabletop/ Under-Cabinet Color Touch Panel is an affordable interface for controlling audio, video, and automation equipment in a multi-room or Home Theater environment. Whether it's on a desk in a home office, a night stand by the bed, in the kitchen, on or under a cabinet, board room, or conference table the VL10 is the right choice. A few simple steps are required prior to using your new VL10.

You will need the following items which are included in the VL10 packaging:

- A. VL10 Mounting Template (PART # 9801872)
- B. Mounting screws
- C. Finishing Washers
- D. One VL10
- E. VL10 Precision Panel
- F. Cable Assembly (PART # 7600205)

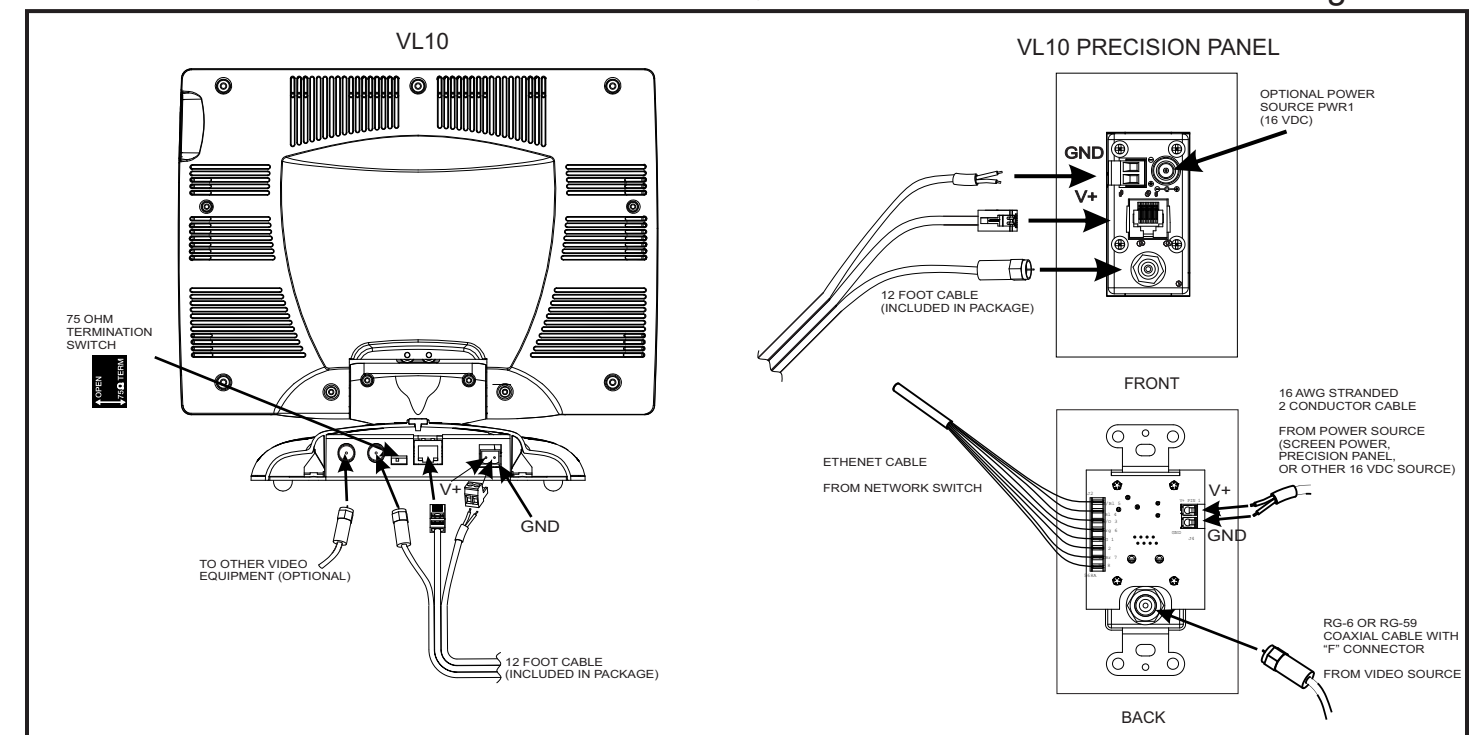
Required items not included in VL10:  
Computer with g! Connect Pro installed  
System Controller( HC12/ HC6 / HC8 / HC4)

Optional items Purchased Separately:  
PWR1 16VDC 1 Amp power supply (PART # PWR1)



Connecting the VL10

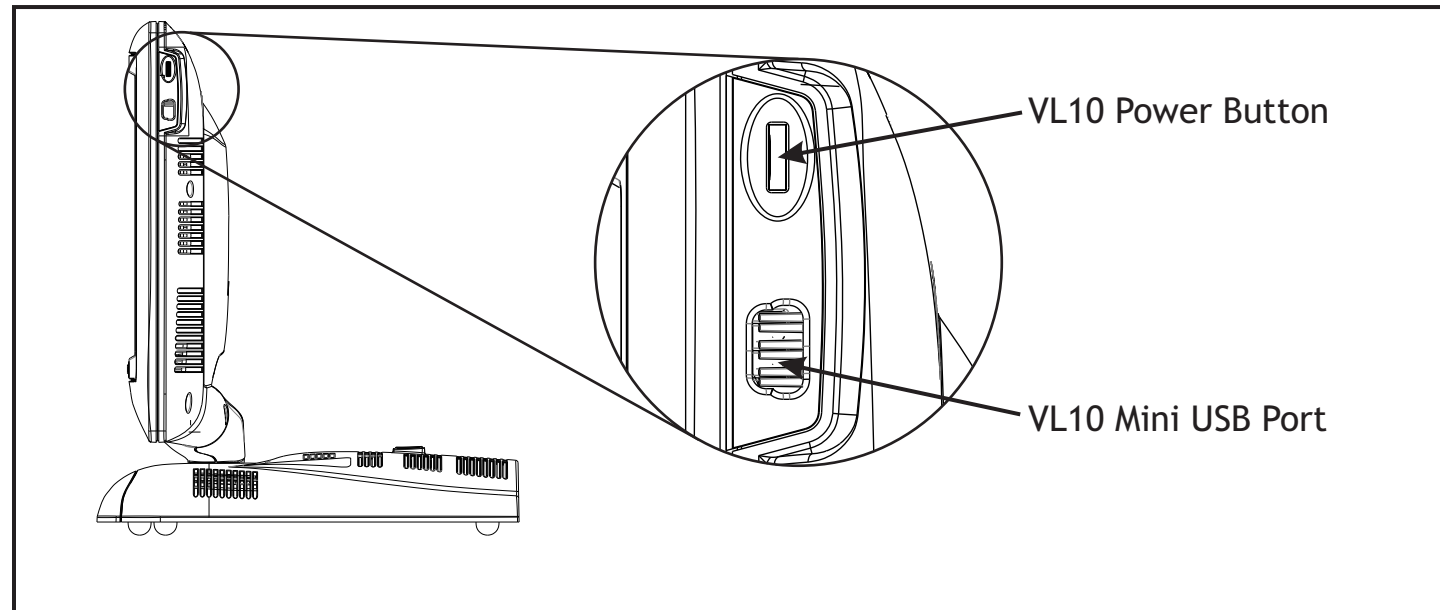
Figure 1



Before mounting the VL10, all the panel connections should be made. Each input or output is labeled on the bottom of the VL10 as shown in figure 1 for quick reference. Use the cable clamp to secure the power and Ethernet cables to the lower unit. The VL10 has a cable clamp system on the underside of the base cover, along the rear edge. After the cables have been connected, loosen the clamp screw and place the Ethernet and power cables into the cutouts. Tighten the clamp screw to hold the cables in place. Do not over tighten. When the video signal coming into the VL10 Touch panel is to be looped back out of the panel to another Touch Panel or TV, an F connector (VIDEO OUT) is provided. The Video Termination Switch must be moved from the factory default to the OPEN position.

Power Button and USB Location

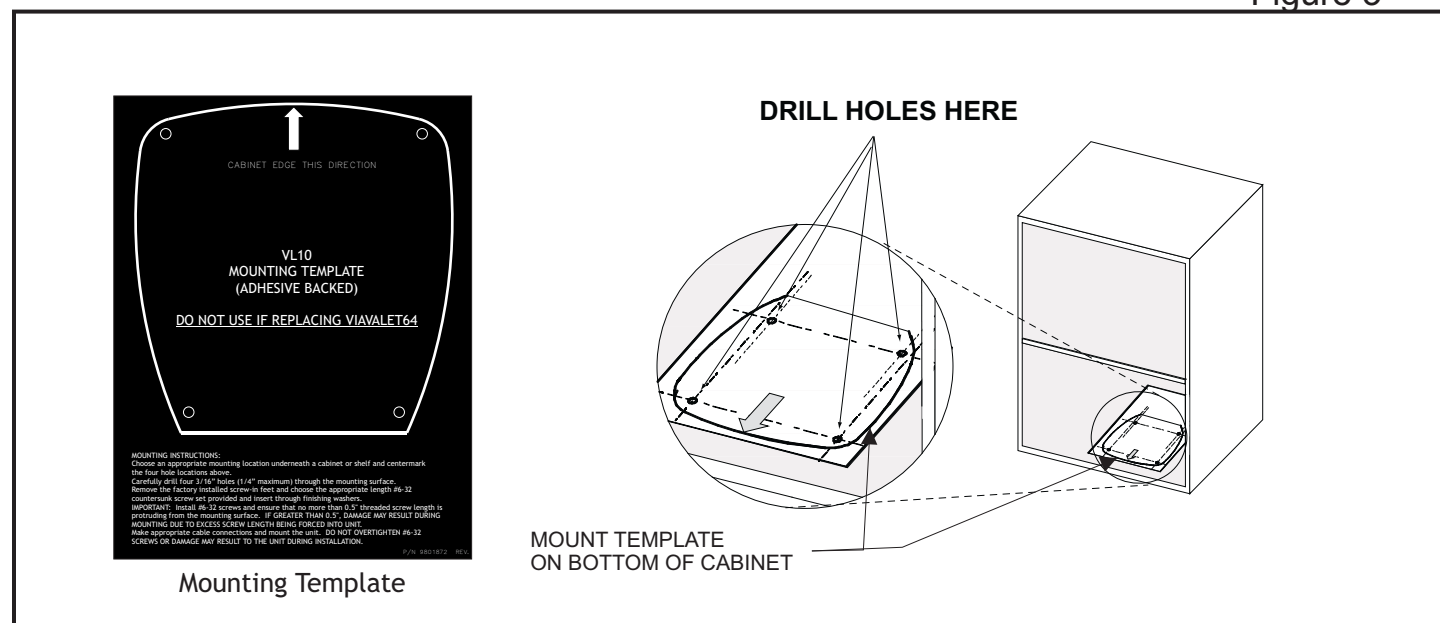
Figure 2



The power button has two functions. The first function is to turn the VL10 off and on. To turn the VL10 on, press and release the power button, the green light beneath the power button will come on and the VL10 will startup. To turn the VL10 off, press and hold the power button for approximately 5 seconds until the VL10 shut downs. The second function is to toggle the back light off and on while the VL10 is in operation. This function can be activated by pressing and releasing the power button. See figure 2 for the power button location. The mini USB port is not used during normal operation.

### Under Cabinet Installation

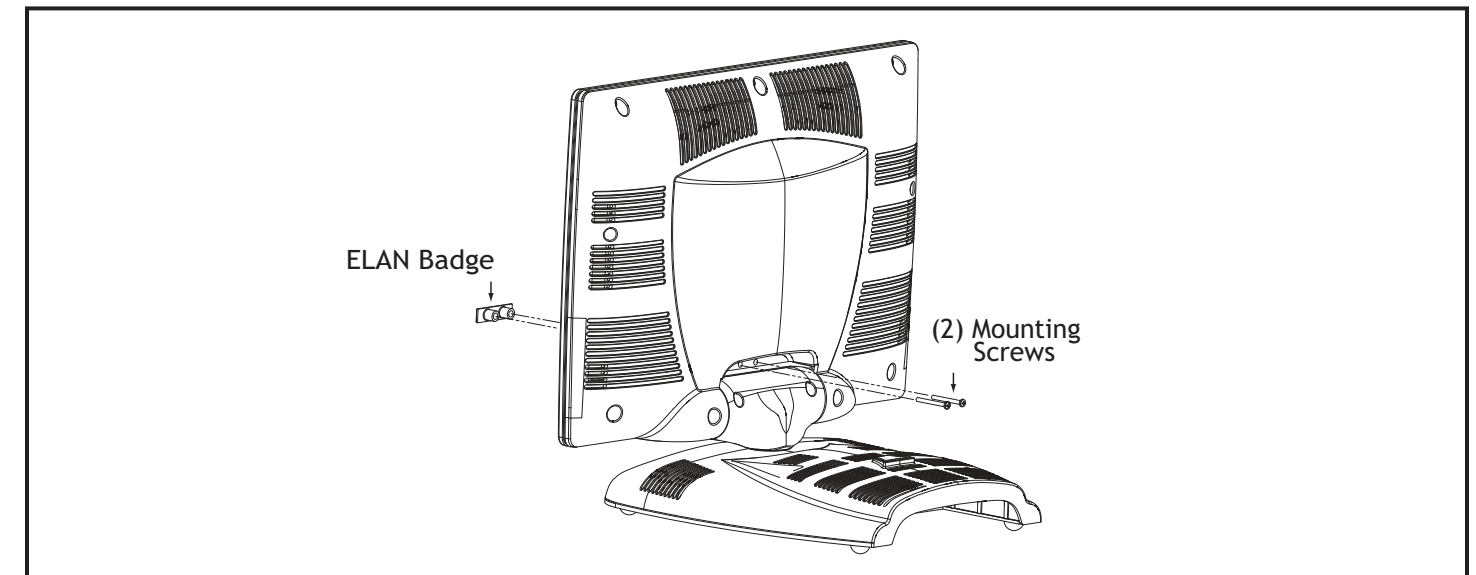
Figure 3



Choose an appropriate mounting location underneath the cabinet or shelf. Remove the protective adhesive backing material from the Mounting Template and carefully place the template in position on the bottom of the cabinet. Make sure the arrow on the template is pointing toward the forward edge of the cabinet, as shown in the figure. Using a 3/16" drill bit, drill the 4 holes shown on the template.

Orienting the "ELAN" Badge

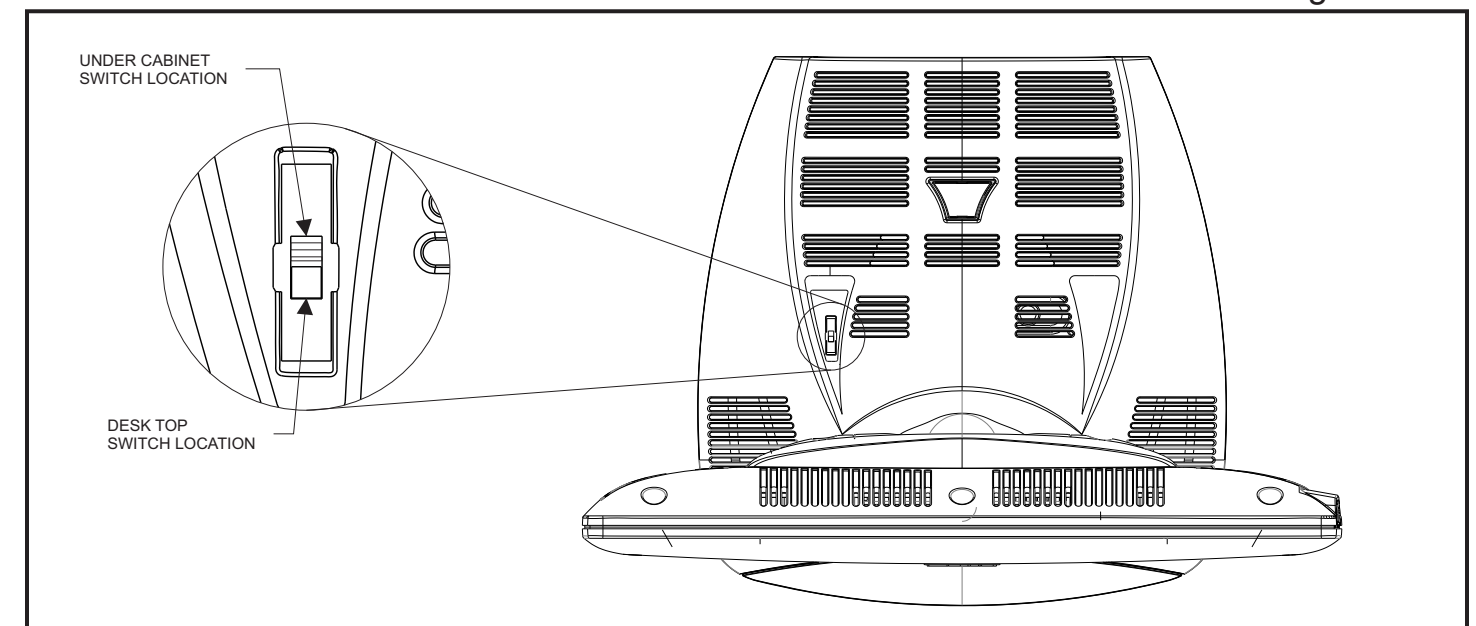
Figure 4



The VL10 ELAN badge comes from the factory in the tabletop orientation. If the VL10 will be mounted in an under cabinet application, the ELAN Badge can be removed and remounted in a 180 degree configuration. This should be done prior to mounting. Remove the (2) screws from the rear panel location as shown in Figure 4. Remove the ELAN badge, rotate 180 degrees, and replace.

Changing the Screen Orientation

Figure 5



After verifying all connections have been made correctly assure that the display orientation is appropriate for the preferred mounting method. If an adjustment is needed the "flip screen" adjustment switch is located on the base of the unit as shown in figure 5.

QUICK REFERENCE INSTALLATION SHEET, VL10

ELAN P/N 9901192 REV : B

INK: BLACK

MATERIAL: 140 G GLOSS ART

SCALE: 1-1

SIZE: 11 X 17, TOL: +/- .1

FOLDING: FOLD SHEETS IN TO QUARTERS

FINISHED SIZE: 8.5 X 5.5

ARTWORK CREATED BY ELAN HOME SYSTEMS

NUMBER OF PAGES: 2

**ELAN**  
HOME SYSTEMS

Life Just Got Better.<sup>®</sup>

Mounting the VL10 Under the Cabinet **Figure 6**

For under the cabinet installation, remove the factory installed screw in feet from the underside of the VL10. Measure the thickness of the bottom of the cabinet or shelf. Select the shortest screw length which will pass.

**Limited Warranty**

air-panels, or other catastrophic events beyond ELAN's control, or its regular operation. maintenance or storage, or to other than normal use of service, with respect to equipment sold by, but not manufactured by ELAN, the warranty obligation of ELAN HOME SYSTEMS, L.L.C. ("ELAN") extends to the VL10 for the time defined in the following table. The warranty period shall be the period of time defined in the table below. If within the applicable warranty period above purchaser discovers that such item was not as warranted above and promptly notifies ELAN in writing, ELAN shall repair or replace the item at the expense of ELAN. This warranty shall not apply to equipment not manufactured by ELAN, BE to authorized installer, (c) to installed equipment which is not installed to ELAN's specifications, (d) to equipment which shall have been repaired or altered by others than ELAN, and to equipment which shall have been subjected to negligence, accident, or damage by circumstances beyond ELAN's control, including, but not limited to, lightning, flood, electrical surge, corrosion, ELAN shall in all respects conform to the warranty actually extended to ELAN by its supplier. The foregoing warranties do not cover reimbursement for labor, transportation, removal, installation or other expenses which may be incurred in connection with repair or replacement.

ELAN shall not be liable for any other obligations or liabilities whatsoever with respect to equipment manufactured by ELAN, ELAN shall not be liable for any other obligations or liabilities whatsoever with respect to equipment manufactured by ELAN.

THE FOREGOING WARRANTIES ARE EXCLUSIVE AND IN LIEU OF ALL OTHER EXPRESSED AND IMPLIED WARRANTIES, INCLUDING WARRANTIES OF TITLE, MERCHANTABILITY, AND FITNESS FOR A PARTICULAR PURPOSE.

ATTENTION TO OUR VALUED CUSTOMERS

**ELAN**  
HOME SYSTEMS

P/N 9901192 REV B Page 4

**ELAN**  
HOME SYSTEMS

Life Just Got Better.<sup>®</sup>

VL10 Quick Reference Installation Guide

The VL10 Precision Under-Cabinet Color Touch Panel is an affordable interface for controlling audio, video, and automation equipment in a multi-room or Home Theater environment. Whether it's on a desk in a home office, a registered by the bed, in the kitchen, on the counter or mounted under a cabinet, the VL10 is the right choice. A few simple steps are required prior to using your new VL10. You will need the following items which are included in the VL10 packaging:

- A. VL10 Mounting Template (PMT # 990197)
- B. Mounting screws
- C. Finishing Washers
- D. One VL10
- E. VL10 Precision Panel
- F. Cable assembly (PMT # 990205)

Required items not included in VL10:  
Computer with g/ Connect Pro installed  
System Controller (SC1 / SC2 / SC3 / SC4)

Optional items Purchased Separately:  
PMT1 140CC 1 Amp power supply (PMT # PM11)

Before mounting the VL10, all the panel connections should be made. Each input or output is labeled on the bottom of the VL10 as shown in Figure 1 for quick reference. Use the cable clamp to secure the power and Ethernet cables to the lower unit. The VL10 has a cable clamp system on the underside of the base cover, along the rear edge. After the cables have been connected, loosen the clamp screw and place the Ethernet and power cables into the cutouts. Tighten the clamp screw to hold the cables in place. Do not over tighten.

**ELAN**  
HOME SYSTEMS

P/N 9901192 REV B Page 1

FOLD ALONG HORIZONTAL CENTER,  
LEAVE THE TOP AND BOTTOM OF  
PAGE 1 SHOWING.

**ELAN**  
HOME SYSTEMS

Life Just Got Better.<sup>®</sup>

VL10 Quick Reference Installation Guide

The VL10 Precision Under-Cabinet Color Touch Panel is an affordable interface for controlling audio, video, and automation equipment in a multi-room or Home Theater environment. Whether it's on a desk in a home office, a registered by the bed, in the kitchen, on the counter or mounted under a cabinet, the VL10 is the right choice. A few simple steps are required prior to using your new VL10. You will need the following items which are included in the VL10 packaging:

- A. VL10 Mounting Template (PMT # 990197)
- B. Mounting screws
- C. Finishing Washers
- D. One VL10
- E. VL10 Precision Panel
- F. Cable assembly (PMT # 990205)

Required items not included in VL10:  
Computer with g/ Connect Pro installed  
System Controller (SC1 / SC2 / SC3 / SC4)

Optional items Purchased Separately:  
PMT1 140CC 1 Amp power supply (PMT # PM11)

Before mounting the VL10, all the panel connections should be made. Each input or output is labeled on the bottom of the VL10 as shown in Figure 1 for quick reference. Use the cable clamp to secure the power and Ethernet cables to the lower unit. The VL10 has a cable clamp system on the underside of the base cover, along the rear edge. After the cables have been connected, loosen the clamp screw and place the Ethernet and power cables into the cutouts. Tighten the clamp screw to hold the cables in place. Do not over tighten.

Before mounting the VL10, all the

**ELAN**  
HOME SYSTEMS

P/N 9901192 REV B Page 1

FOLD ALONG THE VERTICAL CENTER,  
LEAVE PAGE 1 AND 4  
SHOWING