



Integration Note

Manufacturer:	Nuvo
Model Number(s):	Concerto
Core Module Version:	Up to version 5.9.28 control with virtual keypads 6.0.236 and newer includes zone controller integration only, no virtual keypads for source control.
Document Revision Date:	10/31/12

OVERVIEW AND SUPPORTED FEATURES

THE FOLLOWING FEATURES ARE SUPPORTED:

Traditional Whole-House Audio: The Nuvo Concerto has keypads in each zone that control the volume and source.

Built-in Support for IR: The Nuvo has built-in IR, which can be setup using the Nuvo Configurator software. Custom interfaces can be built in the **g!** system, with buttons to access any IR macro stored in the Concerto.

Support for Zone Groups: The Nuvo allows you to configure zone groups, where all zones in the group always listen to the same source, which is useful in a shared space with a dining room, kitchen and family room, for example.

THE FOLLOWING FEATURES ARE NOT SUPPORTED:

Virtual Keypads for source control (v6): source control via virtual keypads is not supported in version 6.0.

Group Level Control: You cannot add a tab in the **g!** system that represents a group. However, selecting any zone in the group accomplishes the same goal, allowing you to change the source in every zone in the group at once.

OSD/HR2/TS2 Controllers: The **g!** Software On-Screen Display, HR2 and the TS2 **WILL NOT FUNCTION CORRECTLY** with this zone controller's source devices and is specifically **NOT** supported.

Source control in an "output from zone" configuration: virtual keypads for source control will not work unless they are directly in a Russound zone. They will not work when a zone from Russound is configured as a source in another zone controller.

Any feature not specifically noted as supported should be assumed to be unsupported.

INSTALLATION OVERVIEW

1. During the rough-in phase, install speaker wire for the speakers and Cat5 cable for keypads, in each zone.
2. Also during the rough-in phase, run a Cat5 wire from the location of the Nuvo back to the Network Assembly of the **g!** system for RS-232 communications. Refer to the **RS-232 Connection Options** Integration Note for other options.
3. Mount the speakers and keypads in each zone, and install the Nuvo and the sources.
4. Setup the Nuvo, according to standard procedures outlined in the Nuvo documentation.

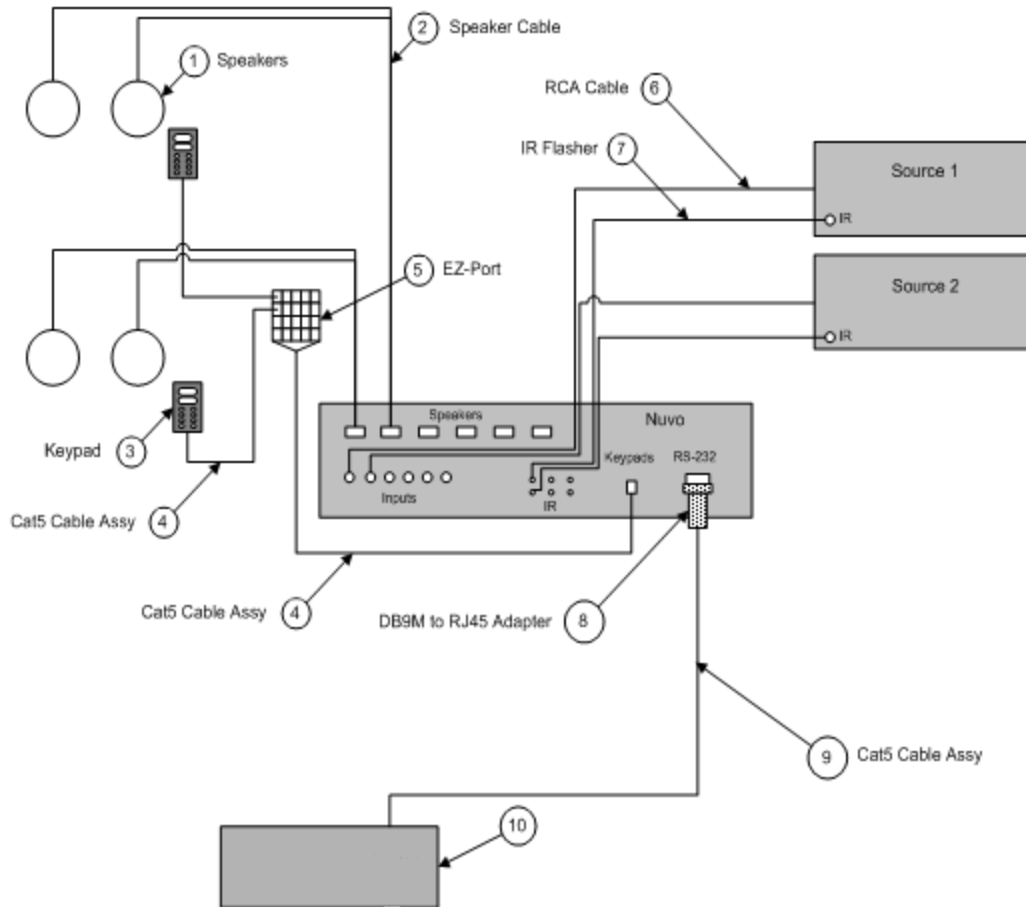
ELAN Home Systems • 1690 Corporate Circle • Petaluma, CA 94954 USA

tech support: 800.622.3526 • main: 760.710.0990 • sales: 877.289.3526 • email: elan@elanhomesystems.com

©2013 ELAN Home Systems. All rights reserved. ELAN and **g!** are trademarks of ELAN Home Systems. All other trademarks are the property of their respective owners.

5. Test the entire Nuvo system to ensure that all the sources play correctly in every zone, and that the keypad buttons behave correctly from the keypads.
6. Connect the **g!** system to the Nuvo system electrically. See the wiring diagrams for more information.
7. Configure the **g!** system for the Nuvo and confirm communication between the Nuvo and the **g!** system controller.
8. Test the system by changing sources in a zone to confirm the correct source plays, and by testing the **g!** interface transport control and media server controls.

CONNECTION DIAGRAMS



BILL OF MATERIALS

#	Device	Manufacturer	Part Number	Protocol	Connector Type	Notes
1	Speakers	N/A	N/A	Analog	Wire	
2	Speaker Cable	N/A	N/A	Analog	Wire	
3	Keypad	Nuvo	Concerto Keypad	Serial	RJ-45 Female	
4	Cat5 Cable Assy.	Installer	N/A	Serial	RJ-45 Male X RJ-45 Male	Must connect all 8 wires
5	EZ-Port	Nuvo	NV-J8EZP	Serial	RJ-45 Female X RJ-45 Female	One included with Essentia
6	RCA Cable	N/A	N/A	Analog	RCA X RCA	None included with Essentia
7	IR Flasher	Nuvo	NV-VEC	IR	Mini Jack X IR Flasher	Six are included with the Essentia
8	DB9M to RJ45 Adapter	ELAN	HA-CB-307	RS-232	DB-9 Male X RJ-45 Female	
9	Cat5 Cable Assy.	Installer	N/A	RS-232	RJ-45 Male X RJ-45 Male	Must connect all 8 wires
10	Controller	ELAN	varies	RS-232	RJ-45 Female	

g! CONFIGURATION DETAILS

The following table provides settings used in the Configurator when connecting to a Nuvo system. Please refer to the *g! Configurator Reference Guide* for more details. In the table below:

- “<Select>” Select the appropriate item from the list (or drop-down) in the Configurator.
- “<User Defined>”, etc. Type in the desired name for the item.

Devices	Variable Name	Setting	Comments
Communication Devices	Name	<User Defined> (Default: Audio)	
	Type	Serial Port	
	Communication Type	Standard Connection	
	Location	<User Defined> (Not Required)	
	Com Port	<Select>	
<Other RS-232 Sources>	Add any other RS-232 controlled sources. Refer to the Integration Note for each specific source device.		
<Other IR Controlled Sources>	Add IR devices on the Input/Output tab for other IR controlled sources. Refer to the Configurator Reference Guide .		
Other Audio Devices / Interfaces	Name	<User Defined>	Add Interfaces for any source that does not have a built-in interface
	Template	<Select>	
	Default Device	<Select>	Select the RS-232 or IR controlled source for this interface
Audio Zone Controllers	Name	<User Defined> (Default: Nuvo Concerto)	
	Device Type	Nuvo Concerto	
	Location	<User Defined> (Not Required)	
	Comm Device	<Select> (Default: Audio)	
Sources	Name	<User Defined>	
	Source Device	<Select>	Sources must be previously configured in order to allow selection.
	Source Volume	<Select> (See Note 1)	
	Show Source	<Select>	Set to No for any inputs that are not used
	Source Icon	<Select>	This icon appears on the source button in the Viewer Interface
	Display Name	<User Defined>	This text appears on the source button in the Viewer Interface
Zones	Name	<User Defined>	
	Display	<N/A>	The Nuvo Essentia does not switch video
	Universal Receiver	<Select>	
	Configuration Interface	<Select>	
	<Sources List>	<N/A>	
Tab Layout	Interface Tabs	<Select>	Move any unused zones to the right into Available Zones to remove from the viewer
Notes:			
1. For systems with devices that have controllable volume, select the desired volume (normally 100%).			

COMMON MISTAKES

1. Improper setup of the Nuvo. Make sure you complete setup of the Nuvo equipment, and that it functions properly as a stand-alone system, before attempting to connect and control from the **g!** system.